

Neo Magic+ Heater

NMH series

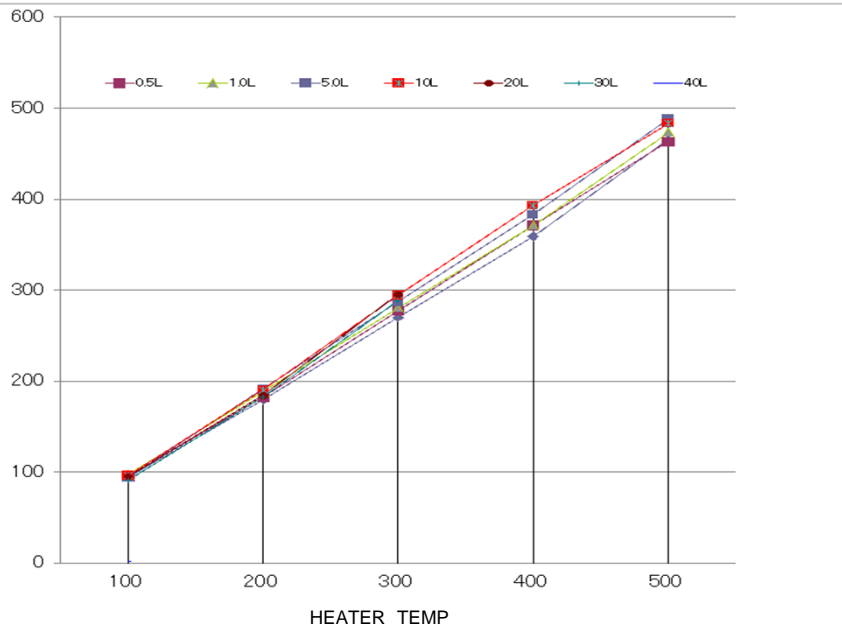


ITEM	MODEL		
	NMH-103M	NMH-203M	NMH-303M
Operating temperature range	300 °C (Max)	←	←
Ambient temperature	5~60 °C	←	←
Flow range	0.1 ~10 L/min	10 ~20 L/min	20 ~30 L/min
Leak integrity	$\leq 1 \times 10^{-10}$ Pa m ³ /sec	←	←
Materials fluid wetted	SUS316L	←	←
Fitting	1/4" VCR type male	←	←
Power supply	AC220V 200W	←	←
Thermocouple 1	~750°C (max) K type class 2	←	←
Thermocouple 2	Option * Use for interlock	←	←
Operating pressure	980 K Pa(G)	←	←
Mounting position	Any position	←	←
Weight	0.9 Kg	←	←

We are guarantee 90% more temperature rising rate !! at the max operating temperature and max flow.

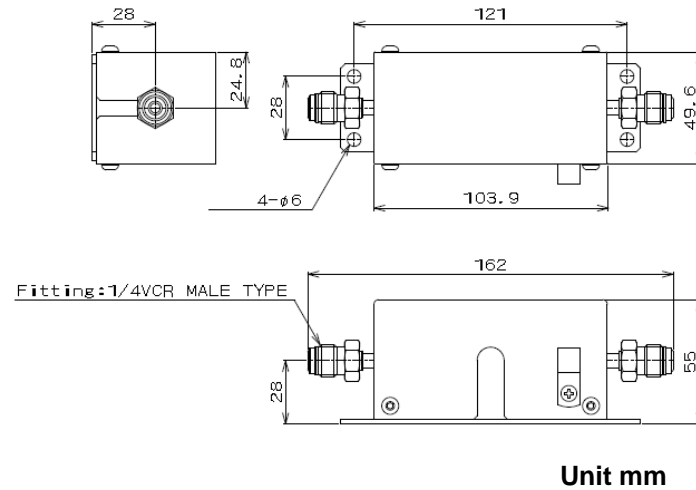
*NMH has enough performance even other than the above specification range. If you want to know more information, please contact to our distributor.

Temperature rising data



Dimensions

For NMH103M, 203M, 303M



NEO CORPORATION

Distributor



1406-6, Matsudo, Matsudo-city, Chiba, 271-0092, Japan

TEL:+81-47-303-2011

E-mail:info-neo@neo-corp.co.jp

Home page: <http://www.neo-corp.co.jp>